



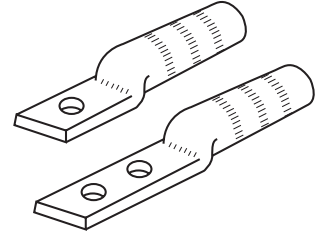
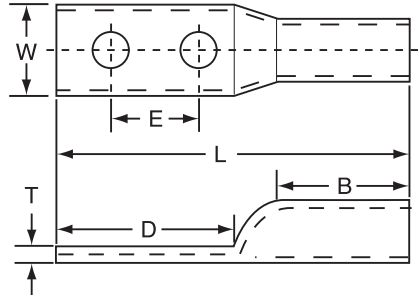
# Connectors

## Aluminum / Copper Terminal Lugs - Rated to 35kV

- For use with aluminum or copper conductors
- Rated to 35kV
- Tin plated and pre-filled with oxide inhibitor
- Manufactured from EC grade high conductivity seamless aluminum tubing

### Related Product Information

TLAC Series: Price List PL-520



### Long Barrel Aluminum/Copper Compression Lug (Single - Hole Pad)

Catalog Number	Conductor Size	Stud Size	Conductor Diameter	Approximate Dimensions (inches)			
				L	B	T	W
TLA08-1HLB	#8 Stranded	1/4	0.146	1 9/16	9/16	1/8	1/2
TLA06-1HLB	#6 Stranded	1/4	0.184	1 53/64	11/16	9/64	29/32
TLA04-1HLB	#4 Stranded	1/4	0.232	1 57/64	7/8	11/64	19/32
TLA02-1HLB	#2 Stranded	3/8	0.292	2 3/32	7/8	7/32	23/32
TLA01-1HLB	#1 Stranded	3/8	0.332	2 17/32	29/32	11/64	25/32
TLA10-1HLB	1/0 Stranded	3/8	0.375	2 7/32	1	13/64	27/32
TLA20-1HLB	2/0 Stranded	1/2	0.419	2 5/8	1 3/32	1/4	15/16
TLA30-1HLB	3/0 Stranded	1/2	0.470	2 29/32	1 1/4	9/32	1 1/16
TLA40-1HLB	4/0 Stranded	1/2	0.528	2 31/32	1 5/16	5/16	1 3/16
TLA250-1HLB	250 KCM	1/2	0.575	3 7/16	1 13/16	11/32	1 9/32
TLA350-1HLB	350 KCM	1/2	0.682	3 7/8	1 5/8	3/8	1 17/32
TLA500-1HLB	500 KCM	1/2	0.815	4 5/16	1 7/8	15/32	1 13/16
TLA750-1HLB	750 KCM	5/8	0.999	5 3/8	2 1/4	9/16	2 3/16
TLA1000-1HLB	1000 KCM	5/8	1.153	6 23/32	2 9/16	11/16	2 1/2

### Long Barrel Aluminum/Copper Compression Lug (Two - Hole Pad)

Catalog Number	Conductor Size	Stud Size	Conductor Diameter	Approximate Dimensions (inches)				
				L	B	E	T	W
TLA10-2HLB	1/0 Stranded	1/2	0.375	4 9/16	1	1 3/4	13/64	27/32
TLA20-2HLB	2/0 Stranded	1/2	0.419	4 21/32	1 3/32	1 3/4	1/4	15/16
TLA30-2HLB	3/0 Stranded	1/2	0.470	4 15/16	1 1/4	1 3/4	9/32	1 1/16
TLA40-2HLB	4/0 Stranded	1/2	0.528	5 1/16	1 5/16	1 3/4	5/16	1 3/16
TLA250-2HLB	250 KCM	1/2	0.575	5 3/16	1 13/16	1 3/4	11/32	1 9/32
TLA350-2HLB	350 KCM	1/2	0.682	5 9/32	1 5/8	1 3/4	3/8	1 17/32
TLA500-2HLB	500 KCM	1/2	0.815	6 3/16	1 7/8	1 3/4	15/32	1 13/16
TLA750-2HLB	750 KCM	1/2	0.999	6 13/32	2 1/4	1 3/4	9/16	2 3/16
TLA1000-2HLB	1000 KCM	1/2	1.153	7 7/16	2 9/16	1 3/4	11/16	2 1/2



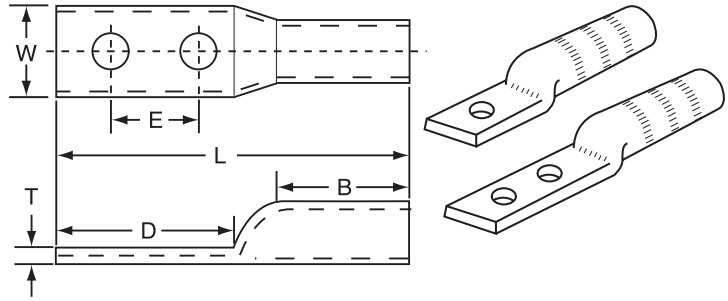
# Connectors

## Tinned Copper Terminal Lugs - Rated to 35kV

- For use with aluminum or copper conductors
- Rated to 35 kV
- Tin plated and pre-filled with oxide inhibitor
- Manufactured from EC grade high conductivity electrolytic copper tubing

### Related Product Information

TLC Series: Price List PL-525



### Long Barrel Tinned Copper Compression Lug (Single - Hole Pad)

Catalog Number	Conductor Size	Stud Size	Conductor Diameter	Approximate Dimensions (inches)			
				L	B	T	W
TLC06-1HLB	#6 Stranded	1/4	0.184	2 1/16	1 3/32	3/32	13/32
TLC04-1HLB	#4 Stranded	1/4	0.232	2 1/16	1 3/32	3/32	1/2
TLC02-1HLB	#2 Stranded	5/16	0.292	2 1/4	1 7/32	7/64	5/8
TLC01-1HLB	#1 Stranded	5/16	0.332	2 3/8	1 11/32	7/64	11/16
TLC10-1HLB	1/0 Stranded	5/16	0.375	2 7/16	1 11/32	1/8	3/4
TLC20-1HLB	2/0 Stranded	3/8	0.419	2 11/16	1 1/2	1/8	13/16
TLC30-1HLB	3/0 Stranded	1/2	0.470	3 1/8	1 1/2	1/8	29/32
TLC40-1HLB	4/0 Stranded	1/2	0.528	3 5/16	1 5/8	9/64	1
TLC250-1HLB	250 KCM	1/2	0.575	3 3/8	1 5/8	5/32	1 1/8
TLC350-1HLB	350 KCM	1/2	0.682	3 27/32	2	11/64	1 5/16
TLC500-1HLB	500 KCM	5/8	0.815	4 1/2	2 1/4	7/32	1 17/32
TLC750-1HLB	750 KCM	5/8	0.999	5 5/16	2 7/8	17/64	1 29/32
TLC1000-1HLB	1000 KCM	5/8	1.153	5 5/8	3	11/32	2 3/16

### Long Barrel Aluminum/Copper Compression Lug (Two - Hole Pad)

Catalog Number	Conductor Size	Stud Size	Conductor Diameter	Approximate Dimensions (inches)				
				L	B	E	T	W
TLC06-2HLB	#6 Stranded	1/4	0.184	2 21/32	1 1/8	5/8	3/32	13/32
TLC04-2HLB	#4 Stranded	1/4	0.232	2 11/16	1 1/8	5/8	3/32	1/2
TLC02-2HLB	#2 Stranded	5/16	0.292	3	1 1/4	3/4	7/64	5/8
TLC01-2HLB	#1 Stranded	5/16	0.332	3 3/8	1 3/8	7/8	7/64	11/16
TLC10-2HLB	1/0 Stranded	5/16	0.375	3 5/16	1 3/8	7/8	1/8	3/4
TLC20-2HLB	2/0 Stranded	1/2	0.419	4 13/16	1 1/2	1 3/4	1/8	13/16
TLC30-2HLB	3/0 Stranded	1/2	0.470	4 7/8	1 1/2	1 3/4	1/8	29/32
TLC40-2HLB	4/0 Stranded	1/2	0.528	5 1/16	1 5/8	1 3/4	9/64	1
TLC250-2HLB	250 KCM	1/2	0.575	5 1/8	1 5/8	1 3/4	5/32	1 1/8
TLC350-2HLB	350 KCM	1/2	0.682	5 5/8	2	1 3/4	11/64	1 5/16
TLC500-2HLB	500 KCM	1/2	0.815	6	2 1/4	1 3/4	7/32	1 17/32
TLC750-2HLB	750 KCM	1/2	0.999	6 13/16	2 7/8	1 3/4	17/64	1 29/32
TLC1000-2HLB	1000 KCM	1/2	1.153	7 1/8	3	1 3/4	11/32	2 3/16



# Connectors

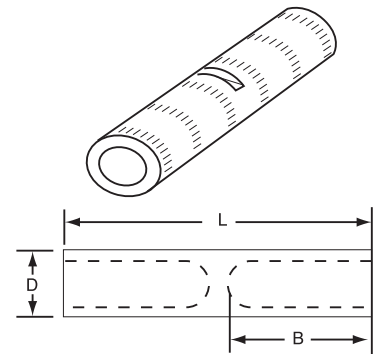
## Compression Butt-Splices - Rated to 35kV

### Related Product Information

BSA & BSC Series: Price List PL-530

### Standard Barrel Aluminum/Copper Compression Butt-Splice

Catalog Number	Conductor Size	Conductor Diameter	Approx. Dimensions (inches)		
			L	B	D
BSA08-SB	#8 Stranded	0.146	1 3/4	3/4	19/64
BSA06-SB	#6 Stranded	0.184	1 5/8	3/4	11/32
BSA04-SB	#4 Stranded	0.232	1 7/8	7/8	7/16
BSA02-SB	#2 Stranded	0.292	2 3/8	1 1/8	17/32
BSA01-SB	#1 Stranded	0.332	1 15/16	29/32	17/32
BSA10-SB	1/0 Stranded	0.375	2 1/8	1	19/32
BSA20-SB	2/0 Stranded	0.419	2 5/16	1 3/32	11/16
BSA30-SB	3/0 Stranded	0.470	2 5/8	1 1/4	3/4
BSA40-SB	4/0 Stranded	0.528	2 3/4	1 15/16	27/32
BSA250-SB	250 KCM	0.575	2 15/16	1 13/32	15/16
BSA350-SB	350 KCM	0.682	3 3/8	1 5/8	1 1/8
BSA500-SB	500 KCM	0.815	3 7/8	1 7/8	1 5/16
BSA750-SB	750 KCM	0.999	4 5/8	2 1/4	1 19/32
BSA1000-SB	1000 KCM	1.153	5 1/4	2 9/16	1 27/32



### Long Barrel Tinned Copper Compression Butt-Splice

Catalog Number	Conductor Size	Conductor Diameter	Approx. Dimensions (inches)		
			L	B	E
BSC06-LB	#6 Stranded	0.184	2 3/8	1 1/8	19/64
BSC04-LB	#4 Stranded	0.232	2 3/8	1 1/8	11/32
BSC02-LB	#2 Stranded	0.292	2 5/8	1 1/4	13/32
BSC01-LB	#1 Stranded	0.332	2 7/8	1 3/8	15/32
BSC10-LB	1/0 Stranded	0.375	2 7/8	1 3/8	33/64
BSC20-LB	2/0 Stranded	0.419	3 1/8	1 1/2	9/64
BSC30-LB	3/0 Stranded	0.470	3 1/8	1 1/2	39/64
BSC40-LB	4/0 Stranded	0.528	3 3/8	1 5/8	11/16
BSC250-LB	250 KCM	0.575	3 3/8	1 5/8	3/4
BSC350-LB	350 KCM	0.682	4 1/8	2	7/8
BSC500-LB	500 KCM	0.815	4 5/8	2 1/4	1 5/64
BSC750-LB	750 KCM	0.999	5 7/8	2 7/8	1 5/16
BSC1000-LB	1000 KCM	1.153	6 1/8	3	1 1/2

